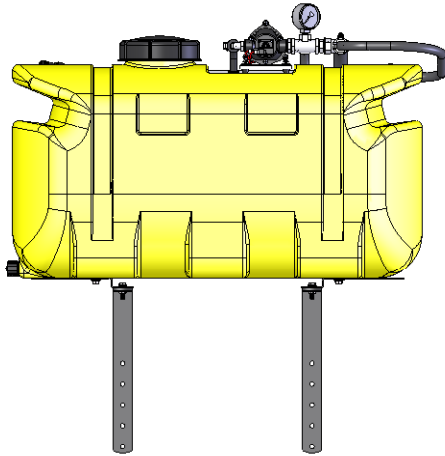


OWNER'S MANUAL

Model: FS-ATV-25 (5301170)

(25 Gallon Lawn & Garden, ATV-Mounted Sprayer - Boom Ready)



BEFORE RETURNING THIS PRODUCT
FOR ANY REASON, PLEASE CALL

1-800-274-1025

IF YOU SHOULD HAVE A QUESTION OR
EXPERIENCE A PROBLEM WITH YOUR
SCHABEN INDUSTRIES PRODUCT:

1-800-274-1025

BEFORE YOU CALL, PLEASE HAVE THE
FOLLOWING INFORMATION AVAILABLE:
SALES RECEIPT & MODEL NUMBER. IN MOST
CASES, A SCHABEN INDUSTRIES EMPLOYEE CAN
RESOLVE THE PROBLEM OVER THE PHONE.

General Information

Thank you for purchasing this product. The purpose of this manual is to assist you in operating and maintaining your ATV sprayer. Please read it carefully, as it furnishes information which will help you achieve years of trouble-free operation.

Warranty/Parts/Service

Products are warranted for one year from date of purchase against manufacturer or workmanship defects.

Commercial users have a 90 day warranty.

Your authorized dealer is the best source of replacement parts and service. To obtain prompt, efficient service, always remember to give the following information...

- Correct Part Description and/or part number.
- Model number/Serial number of your sprayer.

Part descriptions and part numbers can be obtained from the illustrated parts list section(s) of this manual.

Whenever you need parts or repair service, contact your distributor/dealer first. For warranty work, always take your original sales slip, or other evidence of purchase date, to your distributor/dealer.

Technical Specifications

- 25 Gal. Corrosion-Resistant Polyethylene Tank
- 12 Volt Diaphragm Pump, 1.8 g.p.m. - 60 p.s.i.
- Squeeze Lever Handgun
- 15 Ft. Handgun Hose
- Bypass Line (for Pressure Control) / Pressure Gauge
- Boom Ready

Assembly

Your sprayer has been mostly assembled at the factory.

A couple of requirements will be for you to hook up your battery leads to a fully charged 12 Volt battery. The red wire must be connected to the "hot" lead, and the black wire should be connected to the ground.

Remove the drain plug assembly and handgun clips from the parts bag and place them onto the tank as shown in the exploded view drawing.

Remove the pressure gauge from the parts bag and thread it into the gauge "TEE" on the pressure side of the pump. Use a good grade of thread sealant, to insure no leaks.

Attach the boom brackets to the tank mounting brackets, then attach your boom to the boom brackets. Use hardware that best suits your application.

Route the boom feeder hose back to your boom. Secure in place with a hose clamp.

CAUTION: Always check the vehicle load rating before using this sprayer. Do not exceed the recommended rating.

SCHABEN INDUSTRIES

www.schabenindustries.com

5834 E. 23rd St. 239 S. Meridian 4450 State Rd.
Columbus, NE 68601 Newton, KS 67114 Bakersfield, CA 93308
402-564-4544 316-283-4444 661-391-9081

Form No. 813 [5004618 (02/10)] Printed in the U.S.A.

Operation

Your sprayer may be equipped with (2) ON/OFF switches. One on the wire assembly that you hook up to your battery, the other is on the pump itself, on the opposite end of the pressure switch. The "-" is the "ON" position and the "o" is the "OFF" position for the switches. Make sure both switches are depressed in the "-" position for operation.

In addition to the ON/OFF switch, the pump is equipped with an electronic pressure switch that is factory pre-set for it to shut off at 60 p.s.i.. This switch assembly is the 'square box' on the head portion of the pump.

Always fill the tank with a desired amount of water first, and then add the chemical slowly, mixing as you pour the chemical into the tank. You may use the handgun to spray into the solution in order to mix the chemical and water.

Initially begin spraying by opening the handgun. This will enable the air in the line to be purged through the handgun tip, while building pressure.

The pumping system draws solution from the tank, through the strainer/filter, and to the pump. The pump forces the solution under pressure to the handgun and/or boom nozzles.

- Open the handgun by squeezing the handle lever.
- Rotating the adjustable nozzle tip on the handgun will change the tip pattern from a straight stream to a cone pattern (finer mist).

After Spraying

After use, fill the sprayer tank part way with water. Start the sprayer, and allow the clear water to be pumped through the plumbing system and out through the spray nozzles. Refill the tank about half full with plain water and use FIMCO Tank Neutralizer and Cleaner, and repeat cleaning instructions above.

Flush the entire sprayer with the neutralizing/cleaning agent, then flush out one more time with plain water. Follow the chemical manufacturer's disposal instructions of all wash or rinsing water.

For the boom, (if applicable) remove the tips and screens from the nozzle assemblies. Wash these items out thoroughly. Blow the orifice clean and dry. If the orifice remains clogged, clean it with a fine bristle (NOT WIRE) brush, or with a toothpick. Do not damage the orifice. Water rinse and dry the tips before storing.

WARNING: Some chemicals will damage the pump valves if allowed to soak untreated for a length of time! ALWAYS flush the pump as instructed after each use.

Troubleshooting the Pump:

Pump will NOT run:

- Check inline fuse on the wires on the pump.
- Make sure on/off switch is in the 'on' position (-).
- Make sure you 12 volt source (battery) is fully charged.
- Insure a tight connection at the battery clips.

If none of the above will work, try pulling the wires off the pressure switch, and short them out. If your pump runs when you do this, you know you will need to replace your pressure switch.

Pump runs, but does not prime:

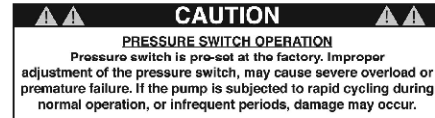
- Check line strainer (screen) in the tank, connected to the bottom of the intake tube. Periodically take the screen at this location out and clean it.
- Make sure the bypass line valve is closed, to allow the pressure to build up in your system. (If equipped with bypass)

Winter Storage

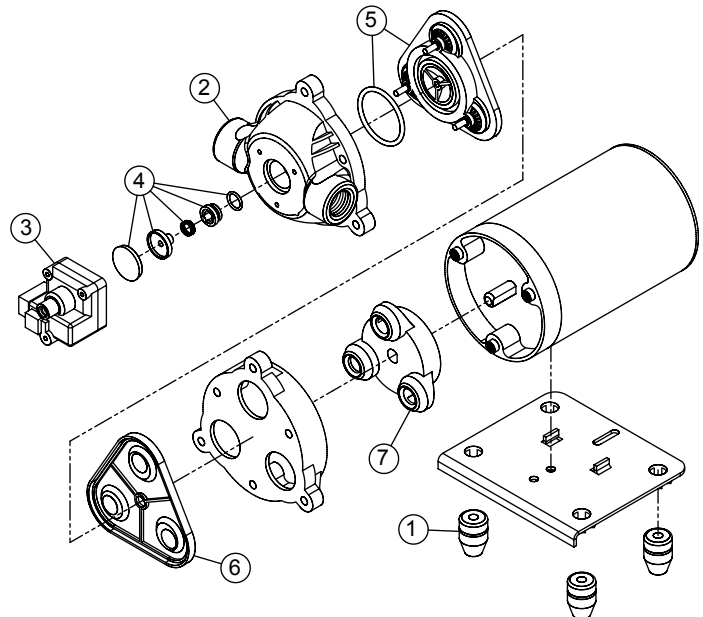
Drain all water out of your sprayer, paying special attention to the pump, handgun, and valve(s). These items are especially prone to damage from chemicals and freezing weather.

The sprayer should be winterized before storage by pumping a solution of RV antifreeze through the entire plumbing system. This antifreeze solution should remain in the plumbing system during the winter months. When spring time comes and you are preparing your sprayer for the spray season, rinse the entire plumbing system out, clearing the lines of the antifreeze solution. Proper care and maintenance will prolong the life of your sprayer.

- Unscrew the head portion of your pump and remove the check valve assembly from inside. You need to make sure the O-Ring comes out with this piece as well. (See the exploded view to help identify these components) These pieces can be cleaned which, in most cases, will help restore some, if not most, of your prime. Soak this check valve in a solution of hot, soapy water. A good name-brand dishsoap works well for this. A little bit of 'scrubbing' with perhaps an old toothbrush may be required to actually break up any build-up that may be on the check valve. Rinse off the pieces and replace them back into your pump. Reassemble the pump. Hook it back up and test.

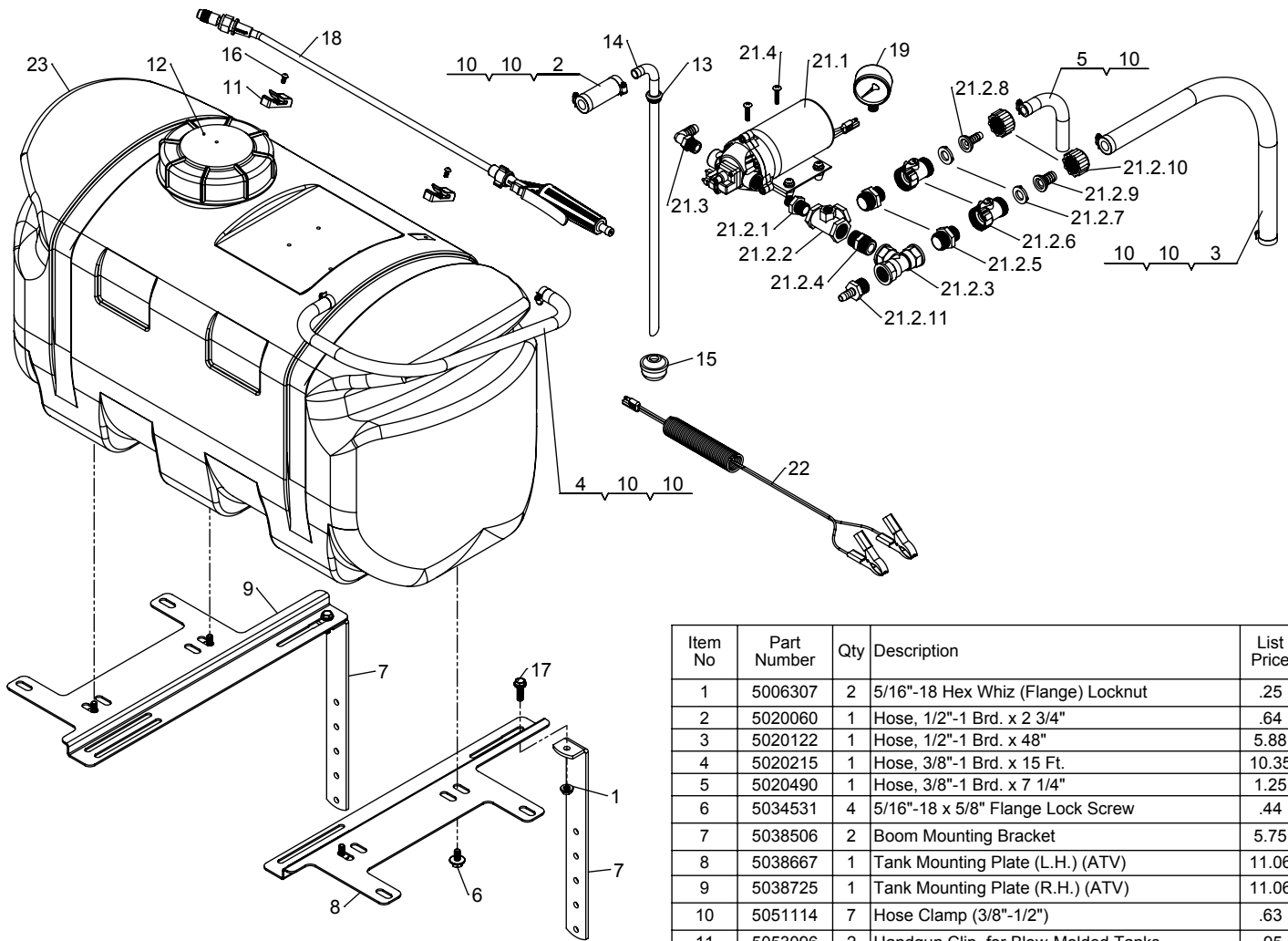


Exploded View/Parts List:
ShurFlo Pump (Model No: 8000-543-936)
FIMCO Part No: 5273232



ITEM NO.	FIMCO PART No	MFG PART NUMBER	QTY.	DESCRIPTION	LIST PRICE
1	5075019		1	Pkg. (4) Grommets	2.99
2	5084089	94-379-00	1	Upper Housing	17.85
3	5157114	94-375-05	1	Switch Assembly	25.44
4	5168759	94-374-05	1	Check Valve Kit	10.25
5	5168760	94-390-05	1	Valve Assembly	39.11
6	5168761	94-395-06	1	Diaphragm	17.60
7	5168762	94-385-03	1	Drive Assembly	30.10

Exploded View/Parts List Model: FS-ATV-25 (5301170)



Item No	Part Number	Qty	Description	List Price
1	5006307	2	5/16"-18 Hex Whiz (Flange) Locknut	.25
2	5020060	1	Hose, 1/2"-1 Brd. x 2 3/4"	.64
3	5020122	1	Hose, 1/2"-1 Brd. x 48"	5.88
4	5020215	1	Hose, 3/8"-1 Brd. x 15 Ft.	10.35
5	5020490	1	Hose, 3/8"-1 Brd. x 7 1/4"	1.25
6	5034531	4	5/16"-18 x 5/8" Flange Lock Screw	.44
7	5038506	2	Boom Mounting Bracket	5.75
8	5038667	1	Tank Mounting Plate (L.H.) (ATV)	11.06
9	5038725	1	Tank Mounting Plate (R.H.) (ATV)	11.06
10	5051114	7	Hose Clamp (3/8"-1/2")	.63
11	5053096	2	Handgun Clip, for Blow-Molded Tanks	.95
12	5058189	1	5" Lid (NO Lanyard)	10.50
13	5075018	1	Grommet	1.00
14	5100532	1	Intake Tube, 1/2" O.D. x 3/8" I.D. x 18 1/4"	
15	5116251	1	Strainer, Suction Line	1.99
16	5117293	2	#10-24 x 3/8" Machine Screw, Phillips Round Head	.25
17	5117300	2	5/16"-18 x 1" Flange Whiz Lock Screw	.25
18	5163100	1	Low-Flow Handgun w/X-26 Tip	9.95
19	5167007	1	Gauge, 0-100 p.s.i.	6.25
20	5274373	1	Drain Plug Cap, Tether, and Washer Assembly	2.95
21	5277037	1	Pump Assembly	
21.1	5273232	1	Shurflo Pump, 12V, 1.8 GPM, 60 PSI	132.28
21.2	5277060	1	Plumbing Assembly (SHURflo Pump)	
21.2.1	5011128	1	Nylon Reducing Nipple, 1/2" MNPT x 3/8" MNPT	.50
21.2.2	5010193	1	Nylon Tee, 1/2" FNPT w/1/4" Port (Gauge)	3.71
21.2.3	5010113	1	Nylon "Tee" Fitting, 1/2" FNPT	3.09
21.2.4	5011054	1	Nylon Close Nipple, 1/2" MNPT	.41
21.2.5	5005021	2	Nylon Adapter, 1/2" MNPT x 3/4" MGHT	.62
21.2.6	5143188	2	Nylon Shut-Off Valve	3.14
21.2.7	5016066	2	Garden Hose Washer	.20
21.2.8	5149034	1	Poly Swivel, 3/8" Hose Barb	.50
21.2.9	5149035	1	Poly Swivel, 1/2" Hose Barb	.50
21.2.10	5006209	2	Poly Knurled Swivel Nut, 3/4" FGHT	.57
21.2.11	5067016	1	Nylon Fitting: 1/2" MNPT x 3/8" HB	.53
21.3	5010043	1	Nylon Elbow, 3/8" MNPT x 1/2" HB	.80
21.4	5117168	4	#10-24 x 1" Phillips Truss Head Machine Screw	.25
22	5277040	1	Battery (Power) Cable (10 Ft. - 14 Gauge)	
23	TA25Y	1	25 Gallon Tank (Yellow)	72.64

(List Prices are Subject to Change)