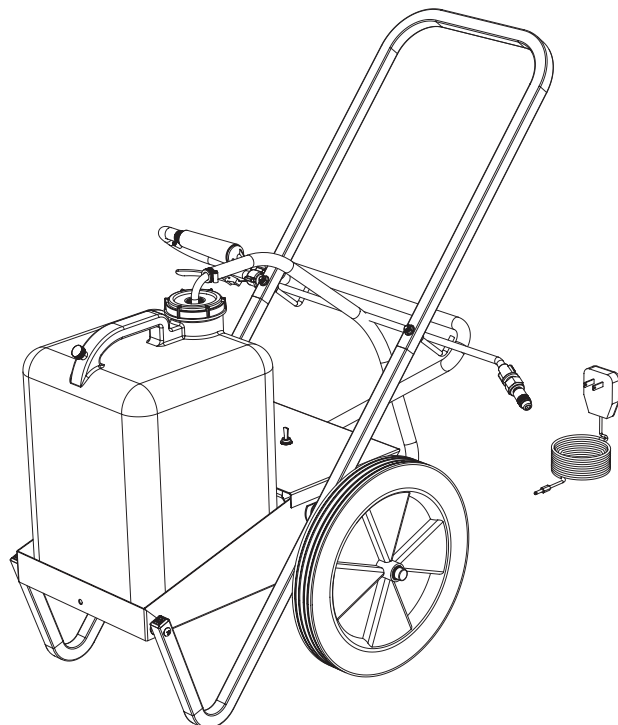


5301031

MODEL NO. FS-5

12 Volt Electric Sprayer With Battery Charger

Assembly / Operation Instructions/ Parts



INTRODUCTION

Read all of the instructions before starting the unit. Mistakes can be avoided when you understand the sprayer. Refer to the exploded view drawing and parts list to familiarize yourself with the unit. Assembly tells you how to put your sprayer together. Operation tells you how to use your sprayer correctly and safely.

ASSEMBLY

Most of the sprayer has been assembled by the factory. The remaining parts may be put together by following these directions.

1. Remove the unit from the carton, locate the small parts bag, and remove the parts.
2. Thread a 1/4" hex nut all the way onto each hook bolt.
3. Slide the handle onto the square inserts on the frame. Insert a hook bolt into the lower holes in the handle as shown on the exploded view drawing. Tighten a 1/4" hex flange nut onto the hook bolts.
4. Remove the cap on the 5 gallon container handle. Puncture a small hole in the membrane. This is the breather opening and should be open when the pump is working. Thread the cap in place for storage only.

OPERATION

Fill the container with solution (water and chemical) then stir to mix. Mixing can also be accomplished by sticking the handgun nozzle into the container and spray into the solution.

Turn the switch "on" and squeeze the lever on the handgun to spray.

After spraying rinse and clean the equipment both inside and out. Flush the pumping system with water.

BATTERY CHARGING

It is a good idea to charge the battery for 8-10 hours before using the sprayer. Especially if you plan to spray for a long period of time. This will insure that the battery is fully charged.

Charging the battery may be accomplished as follows:

1. Plug the charger into a 110 volt A.C. electric receptacle.
2. Insert the plug (which is molded onto the end of the charger wire) into the jack which is located on the rear of the sprayer.
3. Disconnect the plug from the jack and the charger from the electrical outlet when the charging operation is completed.

CAUTION: Do not leave charger connected to battery for longer than 20 hours as it may cause premature battery failure.

AFTER SPRAYING

After use fill the sprayer part way with plain water, start the sprayer and allow clear water to be pumped through the plumbing system and out through the handgun.

Follow the chemical manufacturers disposal instructions of all wash or rinsing water.

WINTER STORAGE

Drain all water out of the sprayer paying special attention to the pump & handgun. These items are especially prone to damage from chemicals and freezing weather.

The sprayer should be winterized before storage by pumping RV anti-freeze through the entire plumbing. Proper care and maintenance will prolong the life of the sprayer.



5834 East 23rd St
Columbus NE 68601
402-564-4544

239 S Meridian
Newton KS 67114
316-283-4444

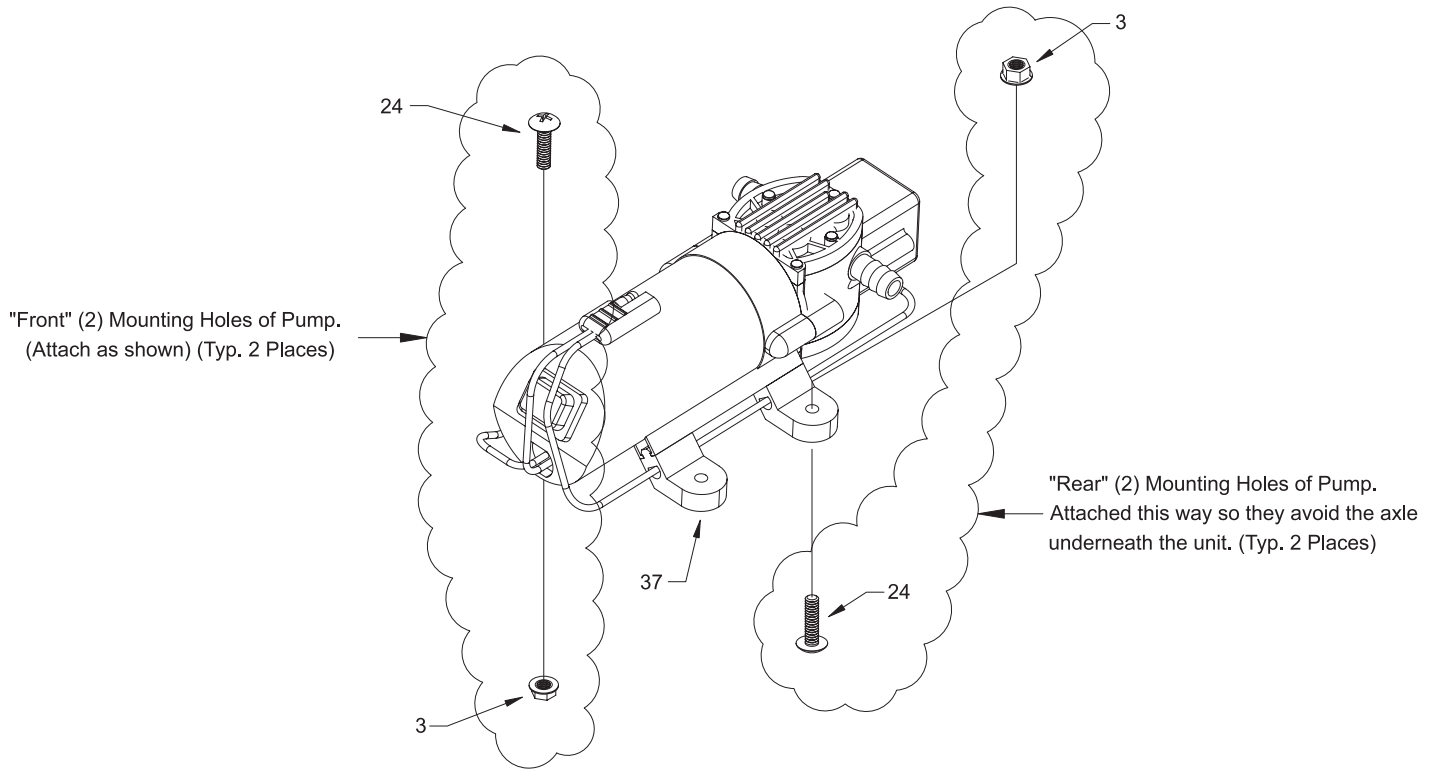
4450 State RD
Bakersfield CA 93308
877-724-2236

Form No. 5004629

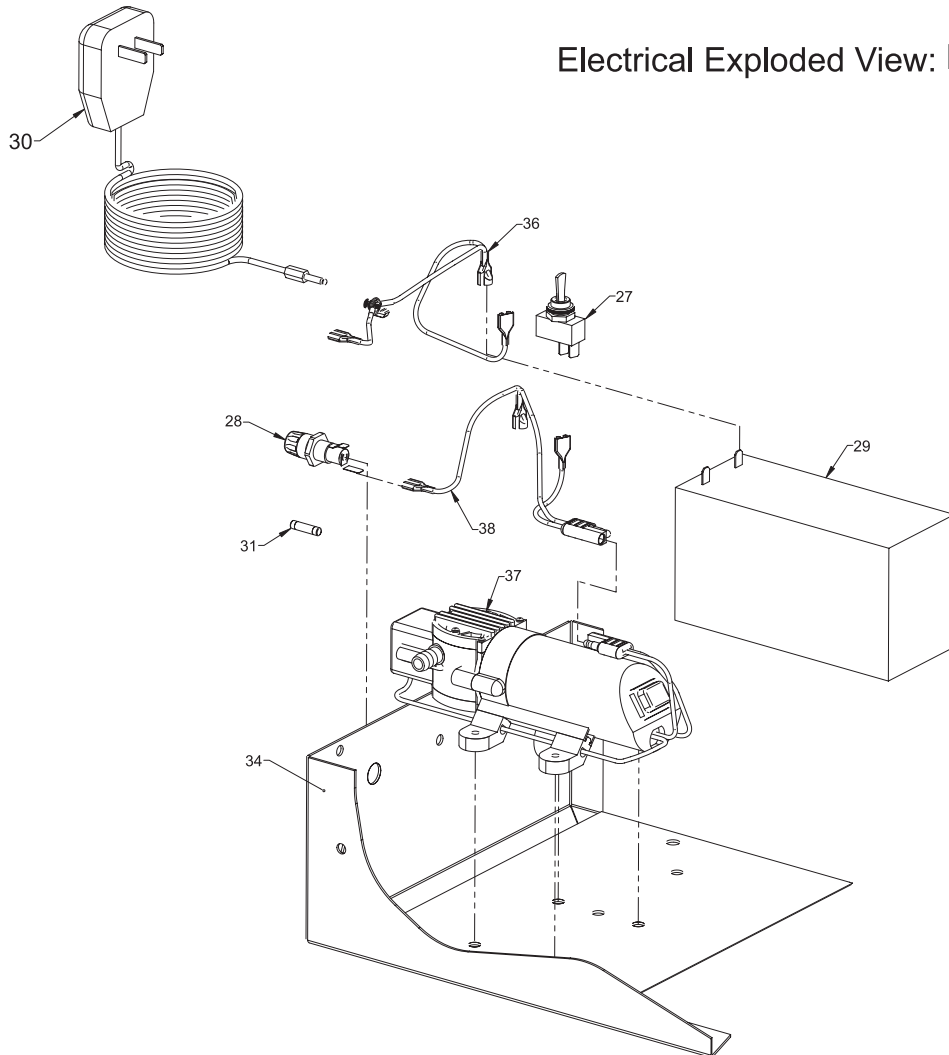
(585 6/05)

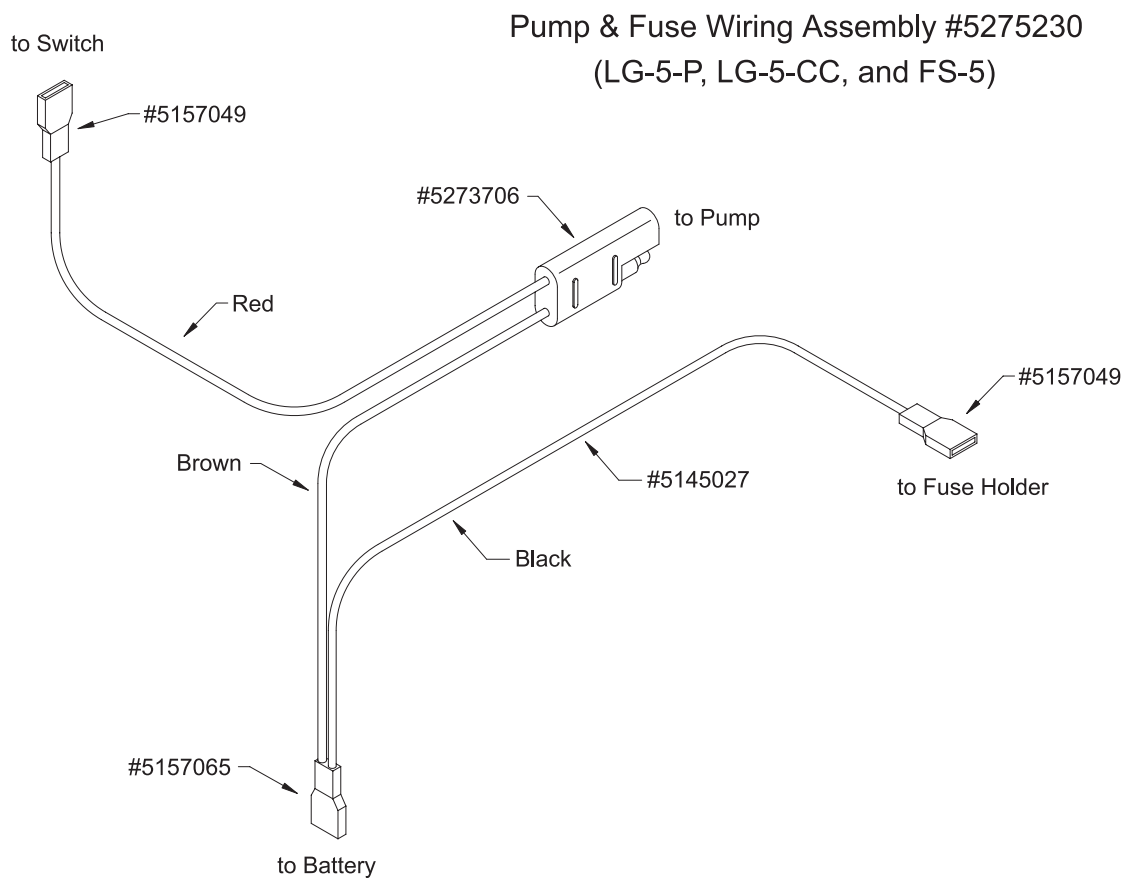
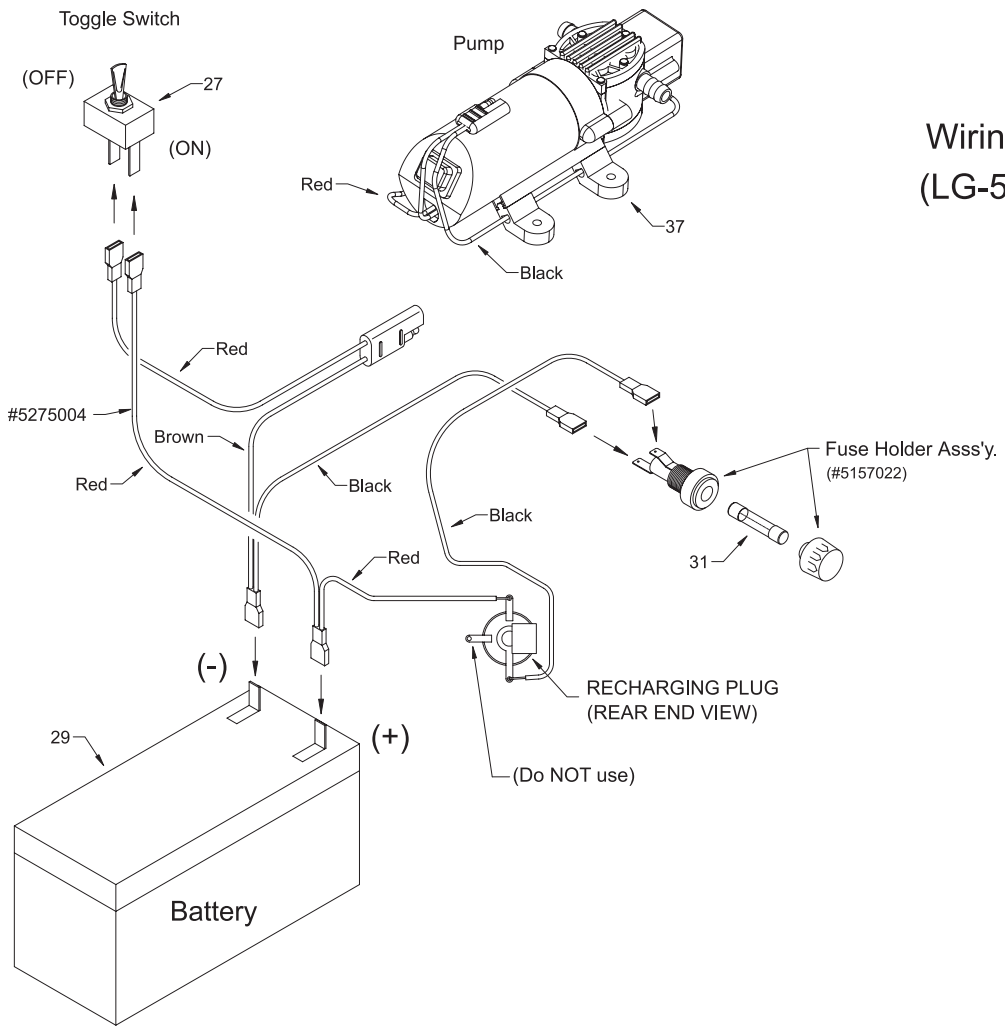
Printed In U.S.A.

Nut & Bolt Orientation at the Pump

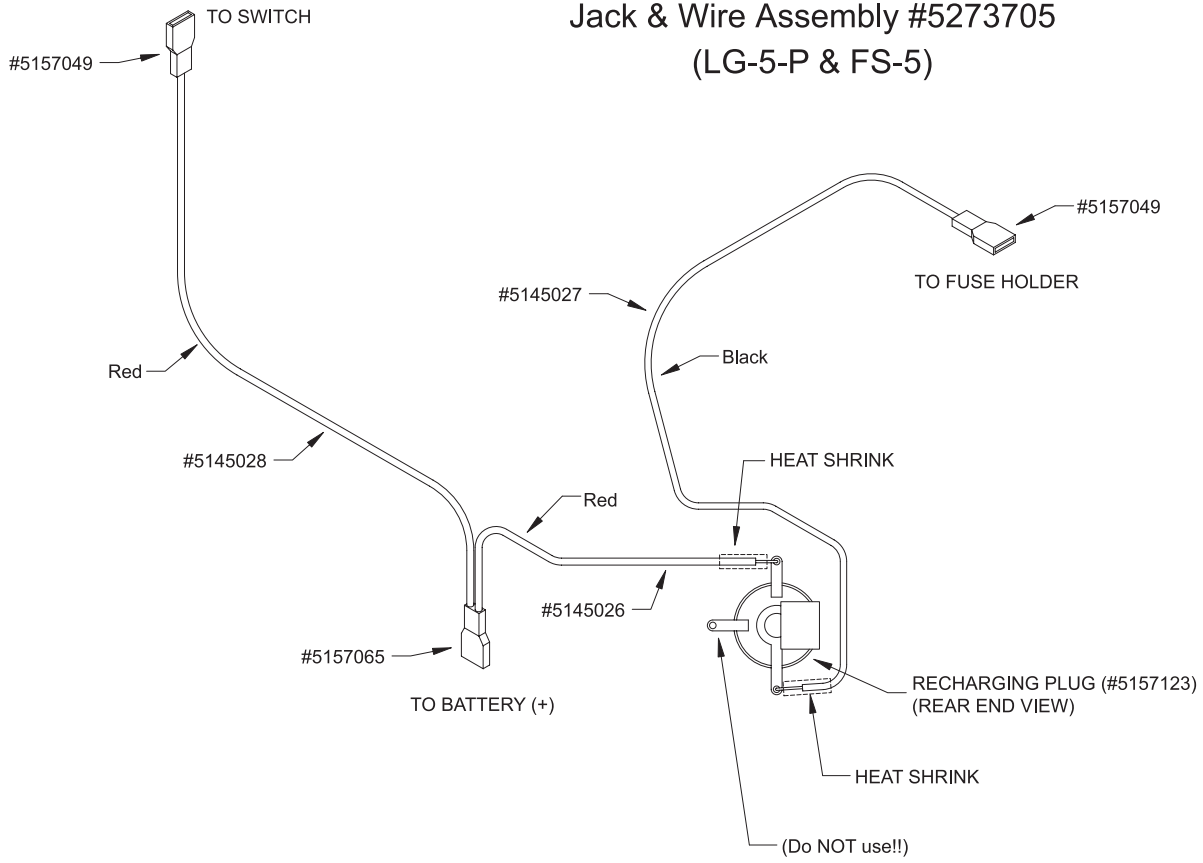


Electrical Exploded View: FS-5

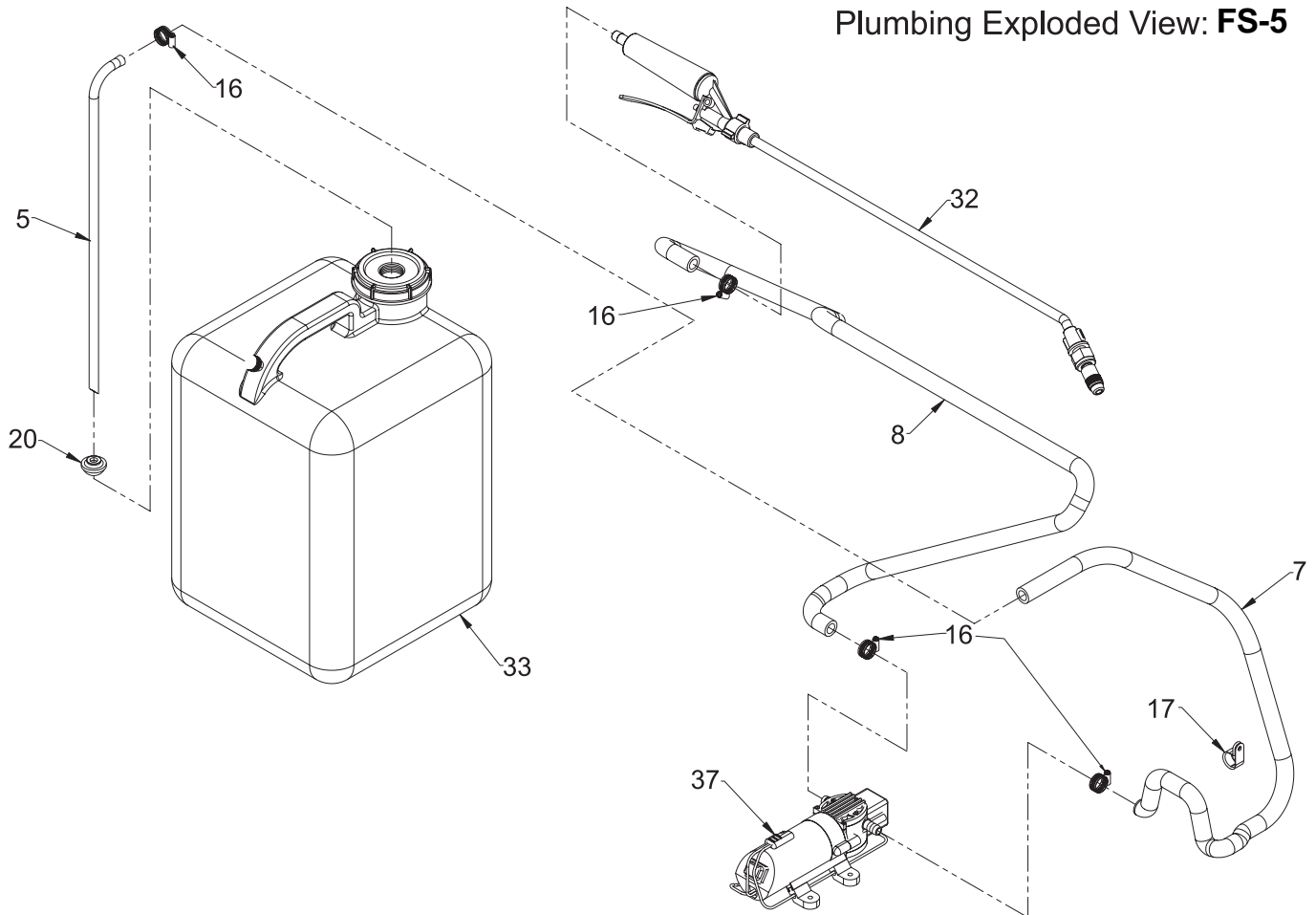




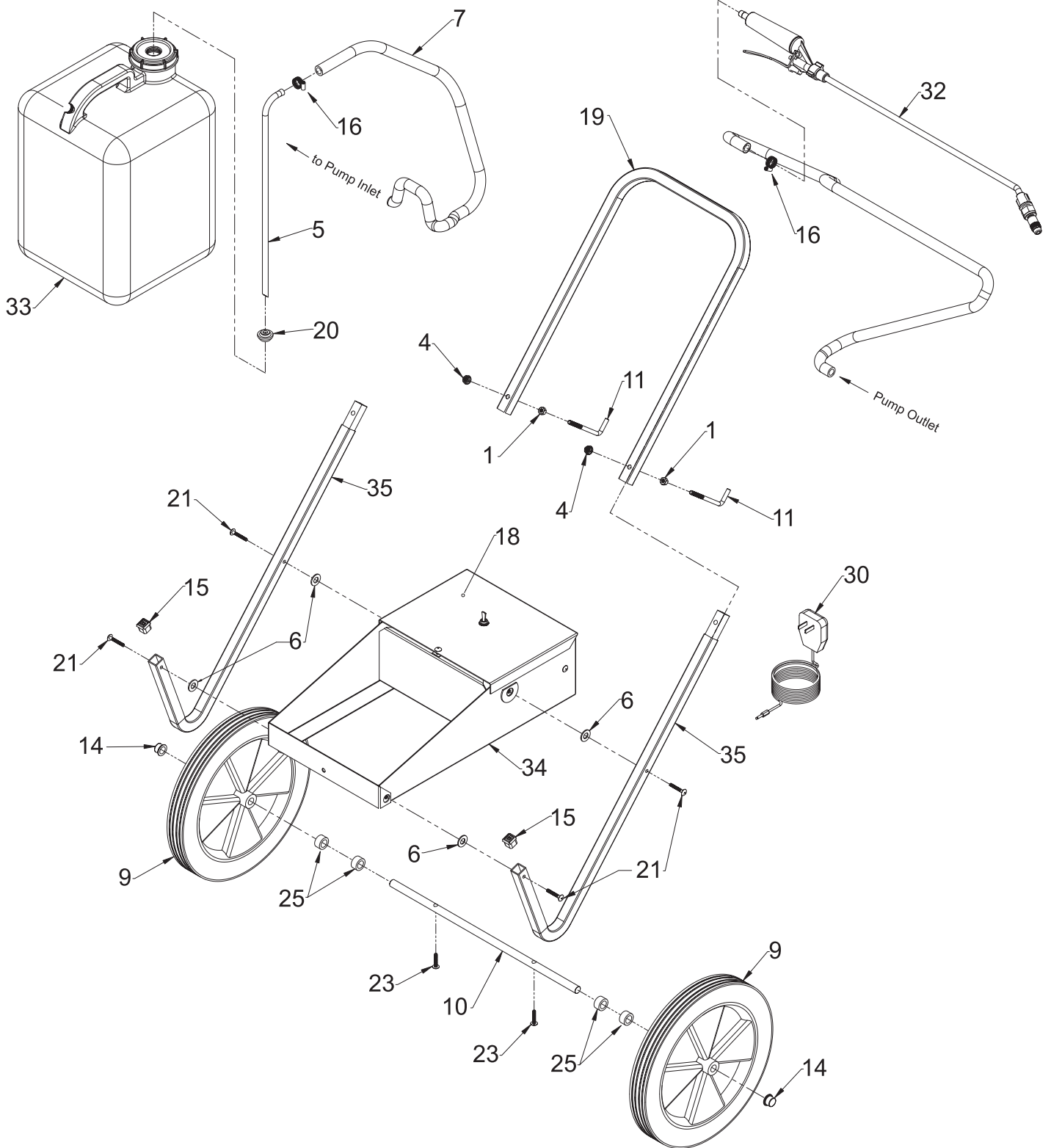
Jack & Wire Assembly #5273705 (LG-5-P & FS-5)



Plumbing Exploded View: FS-5



Exploded View for Model No. FS-5



Exploded View for Model No. **FS-5**

ITEM NO.	PART NUMBER	QTY.	DESCRIPTION
1	5006041	2	1/4"-20 Hex Nut
2	5006182	3	Speed Nut
3	5006186	15	#10-24 Hex Whiz (Flange) Locknut
4	5006306	2	1/4"-20 Hex Whiz (Flange) Locknut
5	5009780	1	1/4" I.D. Intake Tube
6	5016030	4	Flatwasher, 3/8"
7	5020157	1	Hose, 3/8"-1 Brd. x 32"
8	5020215	1	Hose, 3/8"-1 Brd. x 15 Ft.
9	5021035	2	#5560-12M 12 x 1.75 Rib Tread Medium Duty Tire
10	5024039	1	Axle
11	5034127	2	Hook Bolt
12	5034559	2	#10-24 x 4" Machine Screw
13	5041105	2	Snap Bushing
14	5046023	2	1/2" Cap Push Nut, Zinc Plated
15	5046087	2	Frame CapPlug, Black, Square, 3/4" x 16 Ga.
16	5051114	4	Hose Clamp, 3/8"
17	5051122	1	5/8" Black Nylon Loom Cable Clamp
18	5058089	1	Cover
19	5078117	1	Handle
20	5116346	1	Strainer, Suction Line (3/8" Tube)
21	5117166	4	#10-24 x 1 1/4" Phillips Truss Head Screw
22	5117167	3	#10-24 x 5/8" Phillips Truss Head Machine Screw
23	5117168	3	#10-24 x 1" Phillips Truss Head Machine Screw
24	5117176	4	#10-24 x 3/4" Phillips Truss Head Machine Screw
25	5127118	4	Wheel Spacer
26	5133205	1	Plumbers Strap, 3 1/2"
27	5157016	1	Mini Toggle Switch, Model 1700 Series
28	5157022	1	Fuse Holder Assembly
29	5157053	1	Battery
30	5157124	1	Battery Charger (LG-5-P)
31	5157199	1	5 Amp, 250 Volt BUSS Fuse
32	5163100	1	Low Flow Handgun w/X-26 Adjustable Tip, 29 1/2" Wand
33	5169070	1	Tank, 5 Gallon
34	5272114	1	Frame Weldment
35	5272115	2	Stand Assembly
36	5273705	1	Jack & Wiring Assembly (LG-5-P)
37	5275015	1	Pump, 12 Volt, 1.0 G.P.M.
38	5275230	1	Pump & Fuse Wiring Assembly